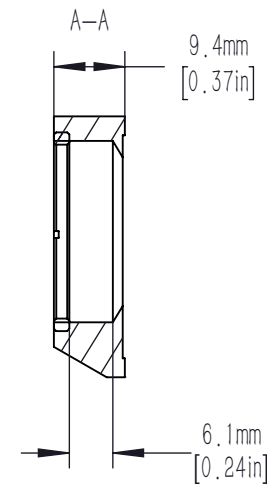
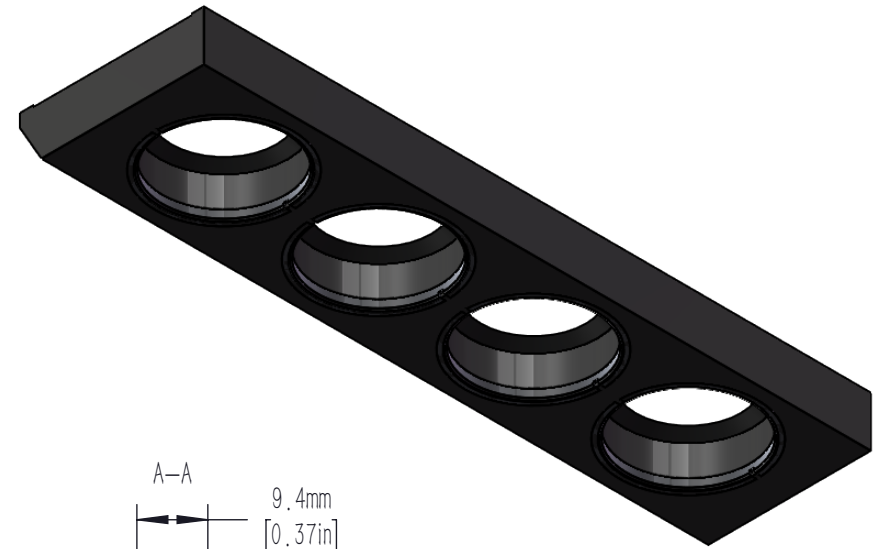
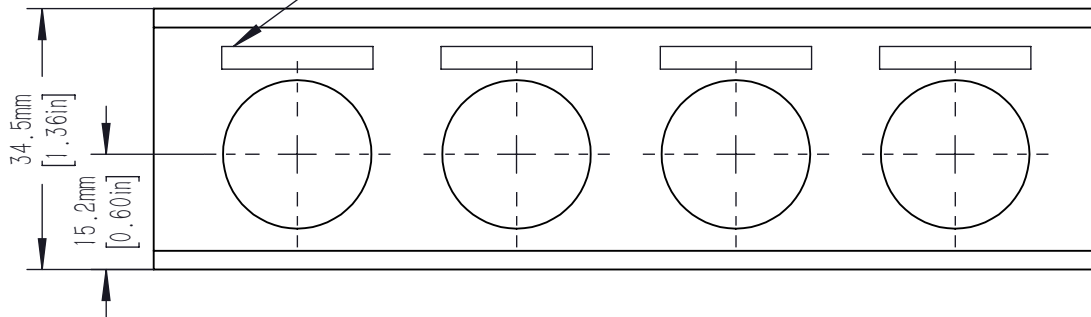


SM1 (1.035-40) SERIES
INTERNAL THREAD
SM1SR RETAINING RINGS INCLUDED
φ23mm (0.94in) CLEAR APERTURE

POSITIONING DETENT
ALIGNS SM1 BORE
WITH CFS1 CLEAR APERTURE
4 PLACES

LASER ENGRAVED BOX
FOR LABELING OF MOUNTED OPTIC
4 PLACES



DRAWING PROJECTION						
		NAME	DATE	SFISM1-1A		
DRAWN		WENSHUO	24/06/07	FILTER INSERT		
APPROVAL	SHAWN	24/06/07	MATERIAL	WEIGHT	SCALE	REV
VALUES IN PARENTHESIS ARE CALCULATED AND MAY CONTAIN ROUND OFF ERRORS			N/A	Kg	1:1	A