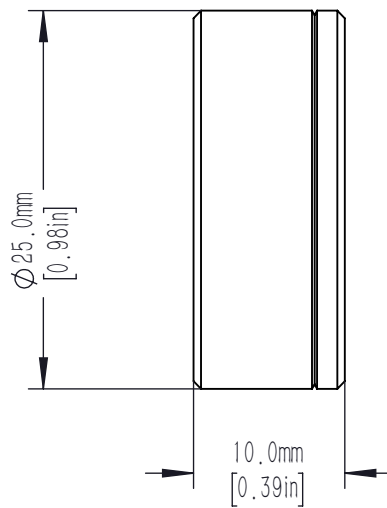


10.0mm
[0.39in]

M6x1.0 THRU HOLE

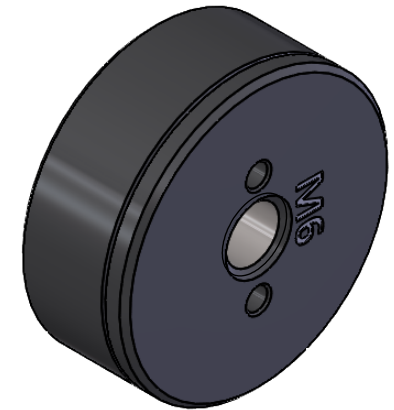
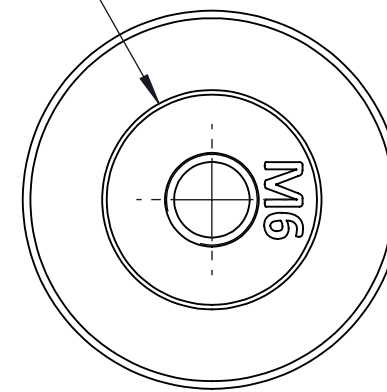
∅2.01mm [0.079in]
4.2mm [0.175in] DEEP
ALIGNMENT PIN HOLES
2 PLACES



∅25.0mm
[0.98in]

10.0mm
[0.39in]

∅14.5mm[0.57in]
0.3mm[0.01in] DEEP



DRAWING PROJECTION						
		NAME	DATE	SSP25-10M6		
DRAWN	WENSHUO	24/06/07	∅25mm EXTENSION ROD			
APPROVAL	SHAWN	24/06/07	MATERIAL	WEIGHT	SCALE	REV
VALUES IN PARENTHESIS ARE CALCULATED AND MAY CONTAIN ROUND OFF ERRORS			N/A	Kg	2:1	A