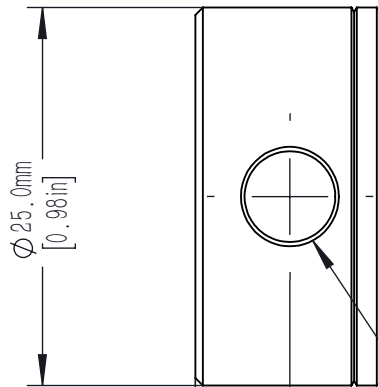


10.0mm  
[0.39in]

M6

M6x1.0 THRU HOLE

Ø2.01mm [0.079in]  
4.2mm [0.175in] DEEP  
ALIGNMENT PIN HOLES  
2 PLACES

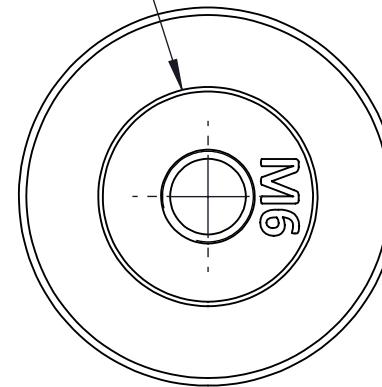


Ø25.0mm  
[0.98in]

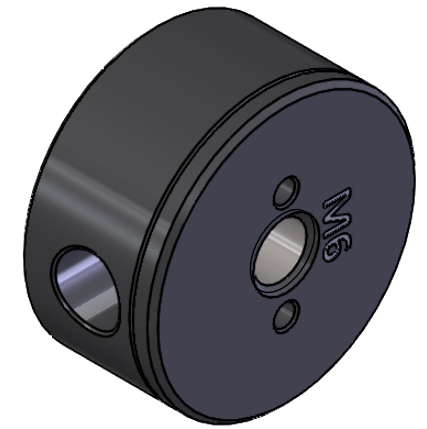
6.3mm  
[0.25in]

12.5mm  
[0.49in]

Ø14.5mm [0.57in]  
0.3mm [0.01in] DEEP



Ø6mm [0.24in] THRU HOLE  
FOR 5mm BALL DRIVER OR HEX KEY  
PROVIDES EXTRA TORQUE WHEN  
TIGHTENING/REMOVING MOUNTS



DRAWING PROJECTION						
NAME		DATE	SSP25-12.5M6			
DRAWN	WENSHUO	24/06/07	Ø25mm EXTENSION ROD			
APPROVAL	SHAWN	24/06/07	MATERIAL	WEIGHT	SCALE	REV
VALUES IN PARENTHESIS ARE CALCULATED AND MAY CONTAIN ROUND OFF ERRORS			N/A	Kg	2:1	A