

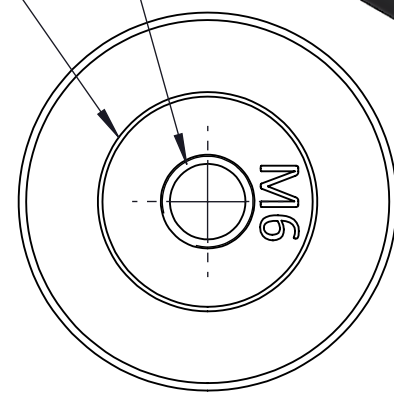
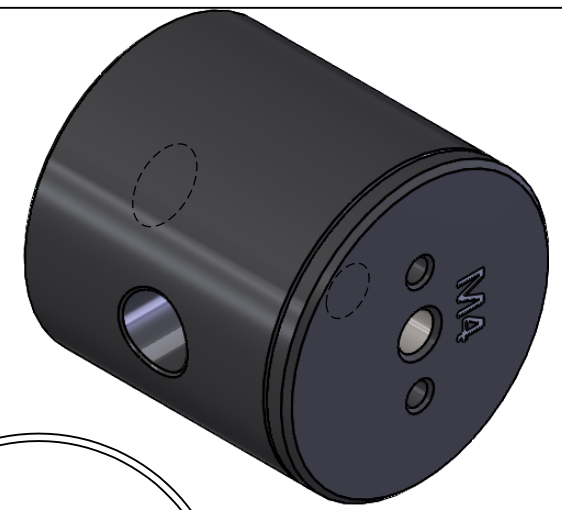
M4x0.7 THRU HOLE

Ø2.01mm [0.079in]
4.2mm [0.175in] DEEP
ALIGNMENT PIN HOLES
2 PLACES

M6x1.0 MOUNTING HOLE
6mm [0.24in] DEEP

Ø14.5mm[0.57in]
0.3mm[0.01in] DEE

Ø6mm [0.24in]
6.5mm[0.26in] DEEP
2 PLACES
FOR 5mm BALL DRIVER OR HEX KEY
PROVIDES EXTRA TORQUE WHEN
TIGHTENING/REMOVING MOUNTS



| | | | | | | |
|---|---------|----------|---------------------|------------|-------|-----|
| DRAWING PROJECTION | | | | | | |
| | | NAME | DATE | SSP25-25M4 | | |
| DRAWN | WENSHUO | 24/06/07 | Ø25mm EXTENSION ROD | | | |
| APPROVAL | SHAWN | 24/06/07 | MATERIAL | WEIGHT | SCALE | REV |
| VALUES IN PARENTHESIS ARE CALCULATED AND MAY CONTAIN ROUND OFF ERRORS | | | N/A | Kg | 2:1 | A |